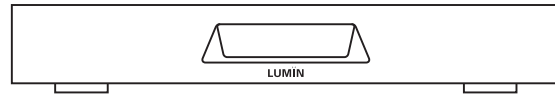


LUMIN L2

QUICKSTART GUIDE



INCLUDED IN THIS BOX

- LUMIN L2 Music Server
- Power Cable (IEC cable for your country's power supply)
- USB 3.0 Micro type B to USB 3.0 type A
- Ethernet Cable
- Torx T10H Screwdriver
- Quickstart Guide
- Safety Information

CUSTOMER SUPPORT

Online
Visit our website at www.luminmusic.com

Email
Send support emails to support@luminmusic.com

FEATURES

- Zero config required
- Transfer via Gigabit LAN or USB 3.0
- Dual drive capacity
- 4-port Audiophile-grade switch
- 2x SFP fibre 2x RJ45 copper
- Thick aluminium chassis

WHAT YOU NEED

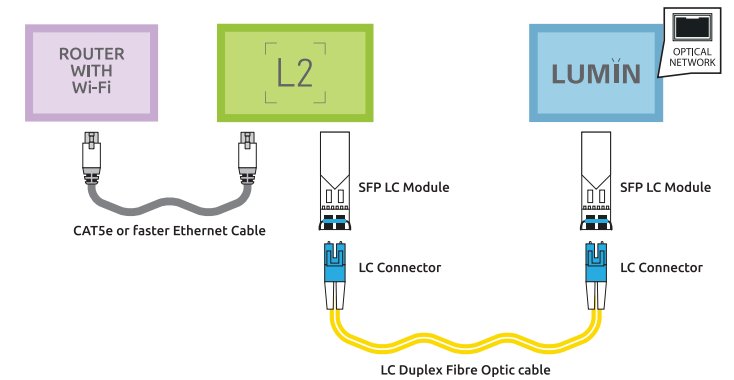
Typical LUMIN system components:

- LUMIN** Music player
- LUMIN L2** Music library & switch
- Android or iOS Tablet/Phone** Running LUMIN App
- Home Network** Including Wi-Fi
- Computer** (PC or Mac) For music management and tagging
- Amplifier & loudspeakers**

TYPICAL NETWORK

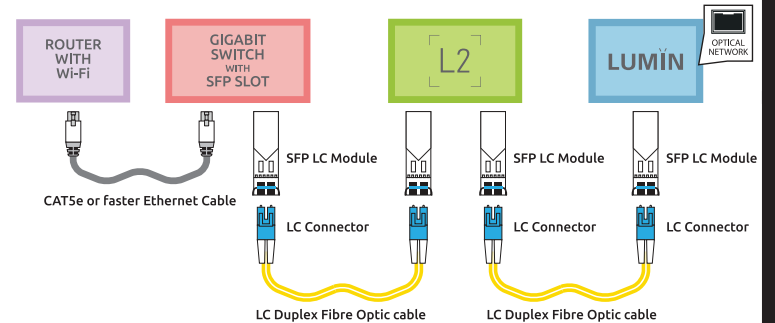
OPTION 1

The simplest network uses copper Ethernet from your Router into LUMIN L2 and then Fibre from L2 into your LUMIN Player:



OPTION 2

LUMIN L2 can also be electrically isolated from the network, by adding a separate fibre network switch:



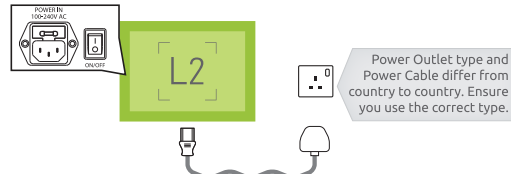
For more fibre networking advice including tested equipment, please visit www.luminmusic.com



© 2023, All Rights Reserved.

POWER

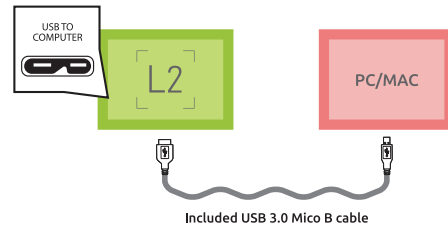
Power is required for all LUMIN L2 functions including USB connection to computer. Make all other connections first and then use the included Mains Power Cable to connect LUMIN L2 to your Power Outlet. Then turn LUMIN L2 on using the rear switch.



When turning LUMIN L2 off, the standby button should be used to unmount the disks, then the front panel display will show a message when it is safe to turn off the power switch.

ADD MUSIC VIA USB

USB can be used to add music to LUMIN L2 and provides the fastest transfer speeds (around 5x the speed of Gigabit Ethernet).



Note: While 'USB TO COMPUTER' is connected, LUMIN L2 will not be discoverable on the network.

LUMIN L2 will appear as a USB Disk on your computer and you can move/copy/delete music as you would any other external disk drive



When finished, use your operating system's recommended method to safely 'eject' LUMIN L2 and power-off L2 using the method described above.

ADD MUSIC VIA NETWORK

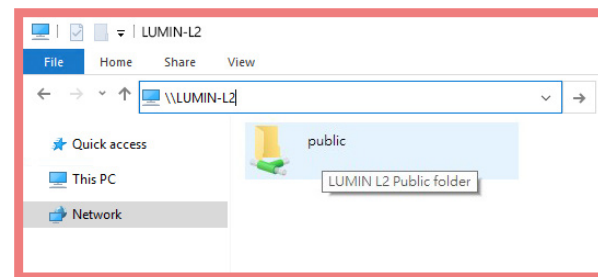
Connect the network as shown in 'Typical Network', ensuring that the computer containing the music is on the same network as LUMIN L2.

Connect and power-up all network devices, LUMIN L2 and your computer.

WINDOWS

Open Windows Explorer and enter "\\\" followed by LUMIN L2's IP address or friendly name (hostname) into the address bar, then press the Enter key.

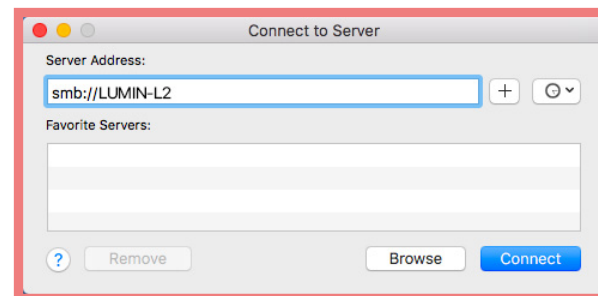
Note: The default hostname is LUMIN-L2



MAC

Open Finder and click Go > Connect to Server, then enter "smb://" followed by LUMIN L2's IP address or friendly name (hostname). Press 'Connect'.

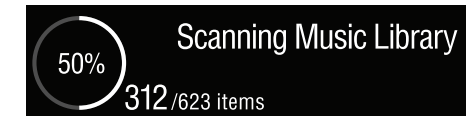
Note: The default hostname is LUMIN-L2



Once connected via SMB, you can simply drag and drop your chosen music from your computer disks to the 'public' folder on LUMIN L2 as you would any other network drive.

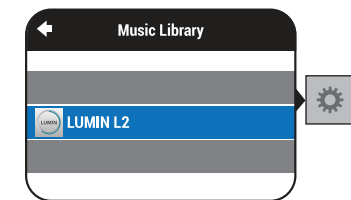
SERVING MUSIC

LUMIN L2 will scan for new music automatically on power-up, when USB disconnected, or after a significant transfer. During scanning, the front panel display will show scanning progress:



Once scanning is complete, all new music will be available to play.

On the LUMIN App in Settings > Music Library, select 'LUMIN L2' from the list



Your music collection will now be available to browse and play through LUMIN and the LUMIN App.

FITTING DISK DRIVES

LUMIN L2 can be ordered without disks or they can be changed at any time. Disk specification:

2.5" SATA III SSD Single partition only Identical pair

For instructions on how to gain access to LUMIN L2 internals and fit disks, please see the full online manual www.luminmusic.com/manual

For more help and information, please visit www.luminmusic.com